



Model: WS RF FOR C4 T4 8  
BLACK/WHITE/UNPAINTED

Model No.: 007-1-847-BL/-WH/-WO

Family: WALL-SMART

DWG NO. 007-4-847-SPC

PRODUCT SPEC.

REVISION A

DATE 25/AUG./2020



**Make Your Wall Smart**

**“WS RETROFIT FOR C4 T4 8” BLACK/WHITE/UNPAINTED” - Product description:**

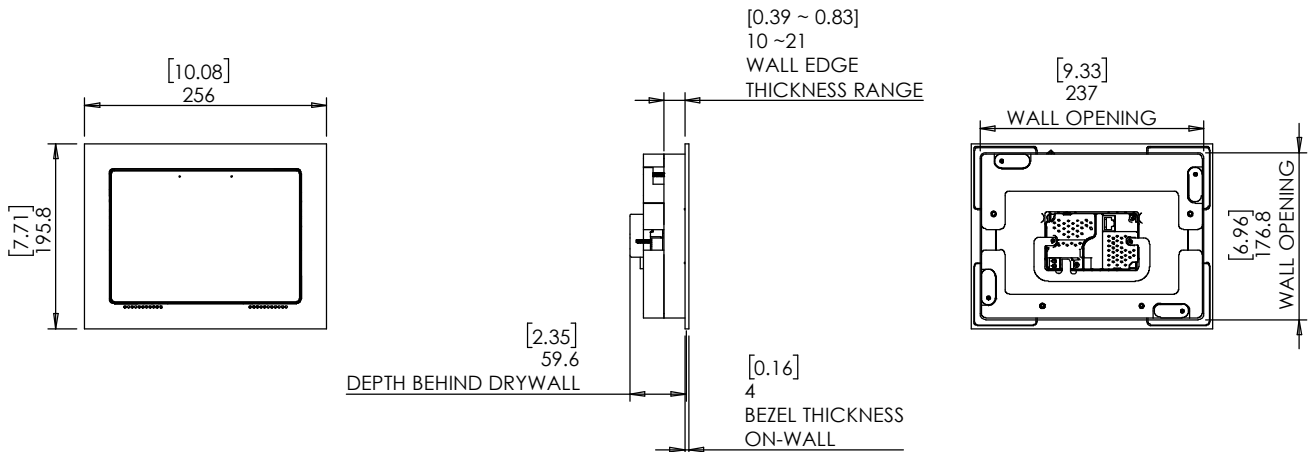
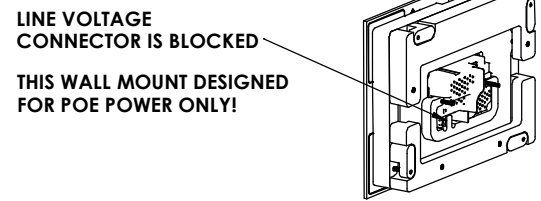
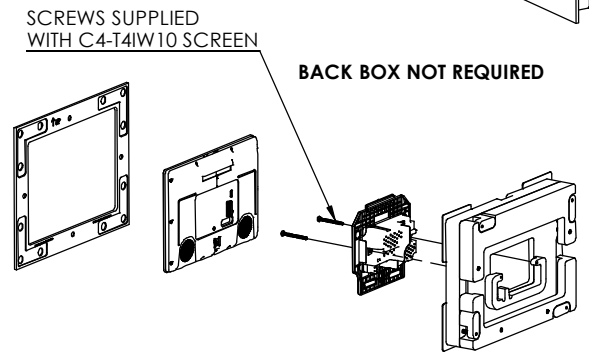
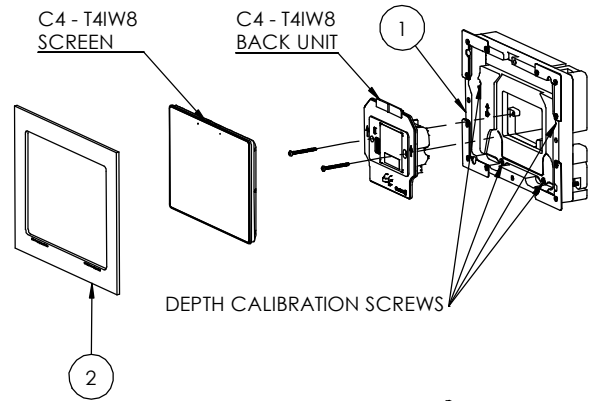
The “WS RETROFIT FOR C4 T4 8” is an adapter for in-wall nearly flush retrofit installation of T4IW8 touch screen. The “WS RETROFIT FOR C4 T4 8” firmly mounts the touch screen while allowing easy insertion, removal and operation.

**Key features and benefits:**

- Nearly flush with the wall (4mm [0.16"] thick on-wall bezel).
- Wall mount contains depth calibration screws.
- Board thickness 10mm[0.39"] up to 21mm[0.83"]. For boards up to 32mm[1.25"] thick, reinstall cam latches upside down.
- Designed for POE power only.
- Line voltage connector is blocked.
- Does not require control4 back box.
- Designed for the use with T4IW8 touch screen (by Control 4) (touch screen is not included).
- Adapter kit contains:
  1. (X1) Wall adapter;
  2. (X1) Bezel;
- The bezel is supplied painted black (-BL), white (-WH) or unpainted (-WO).

**Key properties:**

- Dimensions: (W/H/D): 256mm (10.08")/ 195.8mm (7.71")/ 48mm (1.89")
- Weight: 0.8Kg, 1.76lbs.
- Material: Moisture resistant MDF





Model: WS RF FOR C4 T4 8  
BLACK/WHITE/UNPAINTED

Family: WALL-SMART

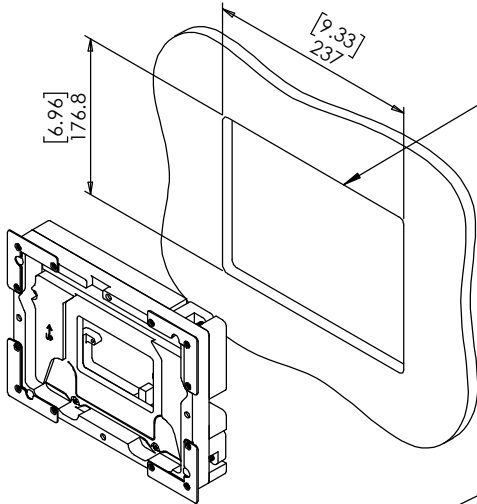
DWG NO. 007-4-847-SPC

Model No.: 007-1-847-BL/-WH/-WO

PRODUCT SPEC.

REVISION A

DATE 25/AUG./2020



1. CUT OPENING - BOARD THICKNESS 10mm [0.39"] UP TO 21mm [0.83"] (FOR BOARDS UP TO 32mm [1.25"] THICK, REINSTALL CAM LATCHES UPSIDE DOWN.

2. ROUTE NECESSARY CABLES

3. INSERT WALL MOUNT BASE

4. GENTLY SCREW CLOCKWISE 4 RETENTION SCREWS UNTIL CAM LATCHES RETAIN THE UNIT

5. SCREW C4 - T4W8 BACK UNIT

6. INSERT SCREEN:  
HANG SCREEN ON BACK UNIT TOOTH AND DROP IN TO PLACE

7. ATTACH BEZEL (MAGNETICALLY)

REMOVE SCREEN:  
PULL BOTTOM PART OF SCREEN AND LIFT FROM TOOTH